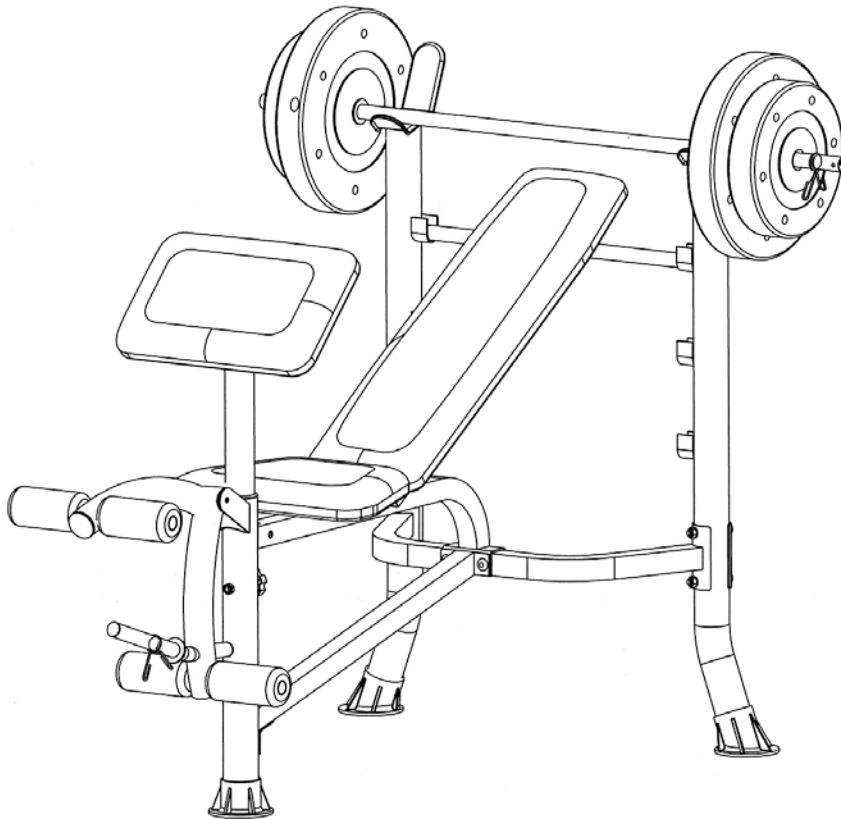


MARCY®

STANDARD WEIGHT BENCH

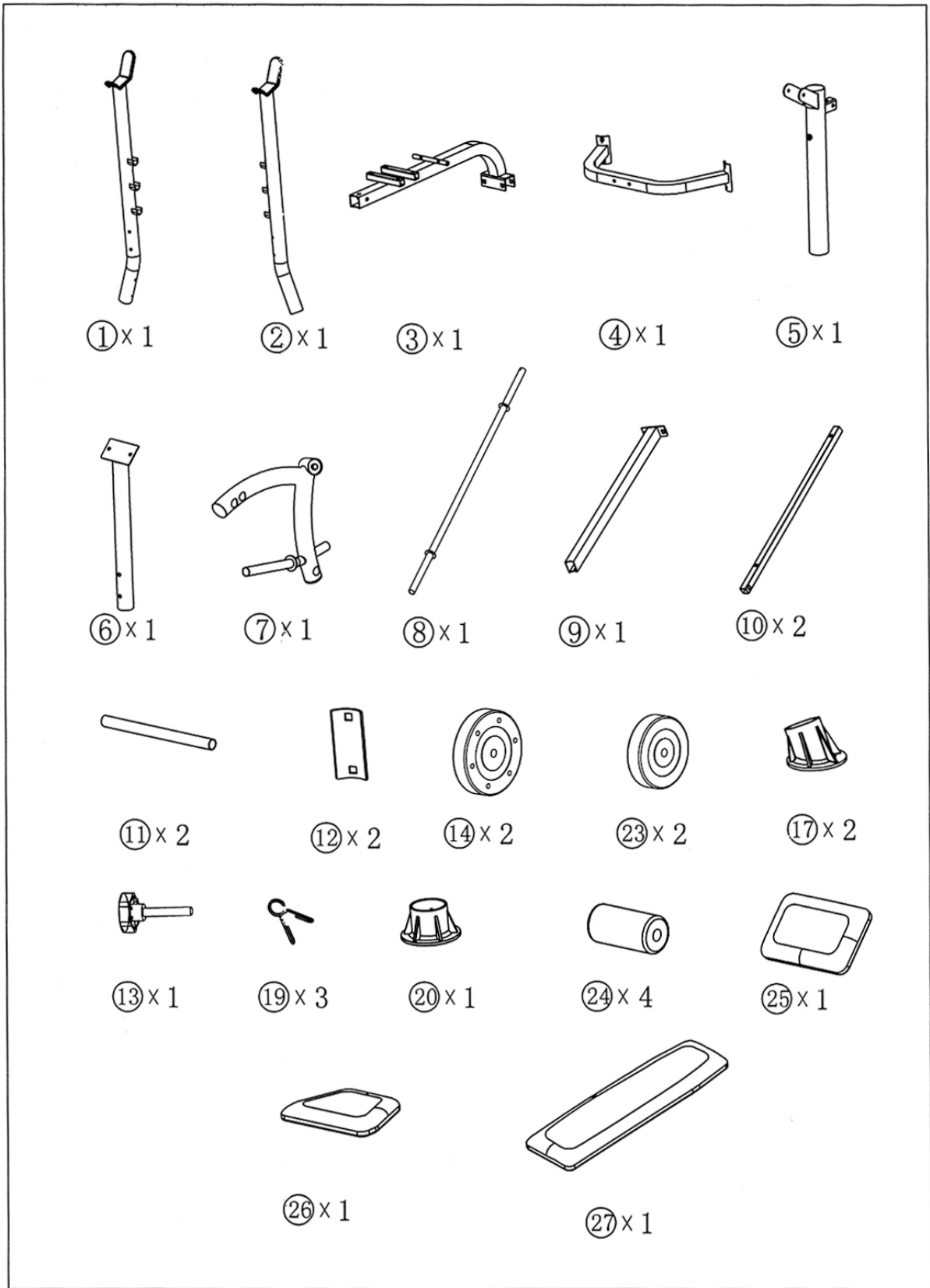
MWB-20101

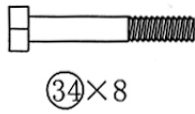
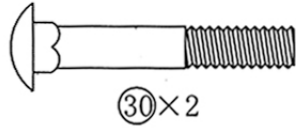
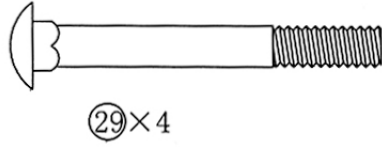
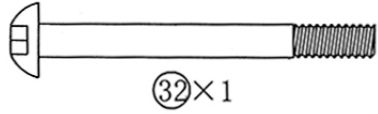


IMPORTANT: Please read the Important Safety Notice and Assembly Information in the Owner's manual before assembling this product.

Assembly Manual

150512





③⑧×②



③⑨×⑥



④①×①



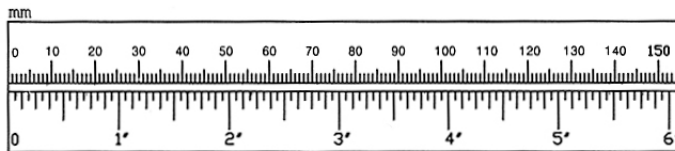
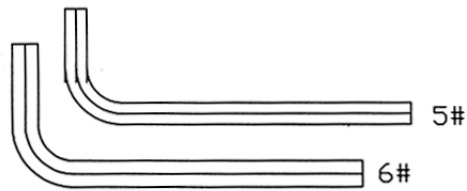
③⑤×⑥



③⑥×⑧




③⑦×⑧

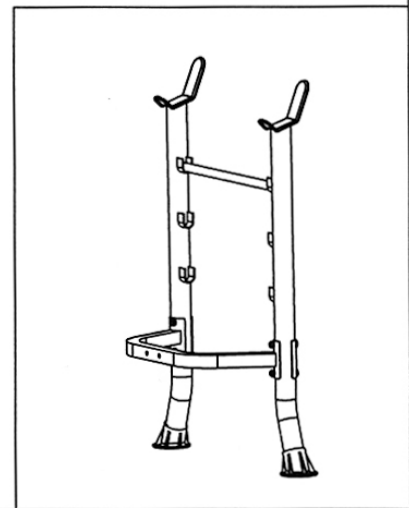
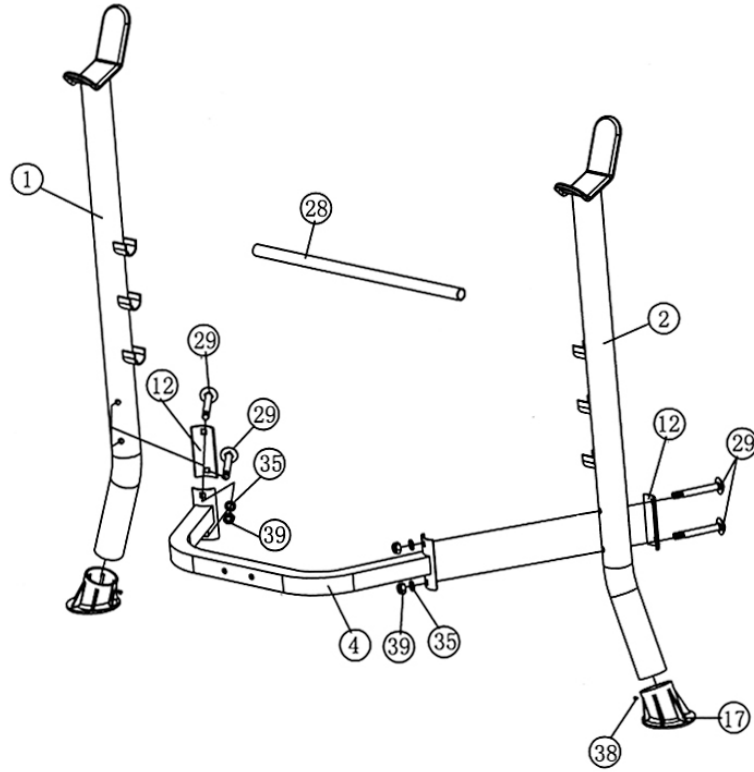
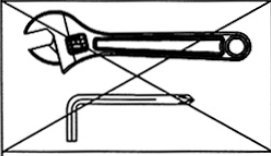


②9 ×4  M10 x 3 1/8"

③5 ×4  Ø 3/4"

③8 ×2  ST5 x 3/8"

③9 ×4  M10



1

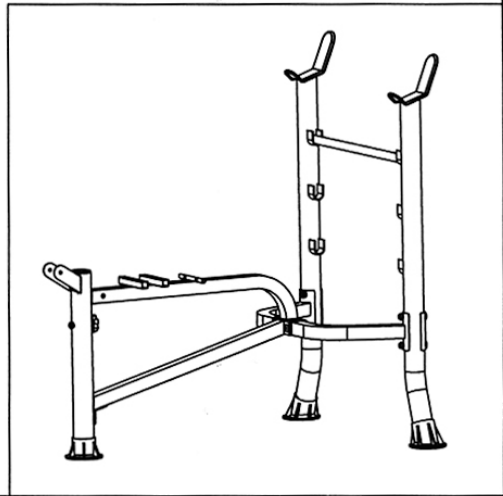
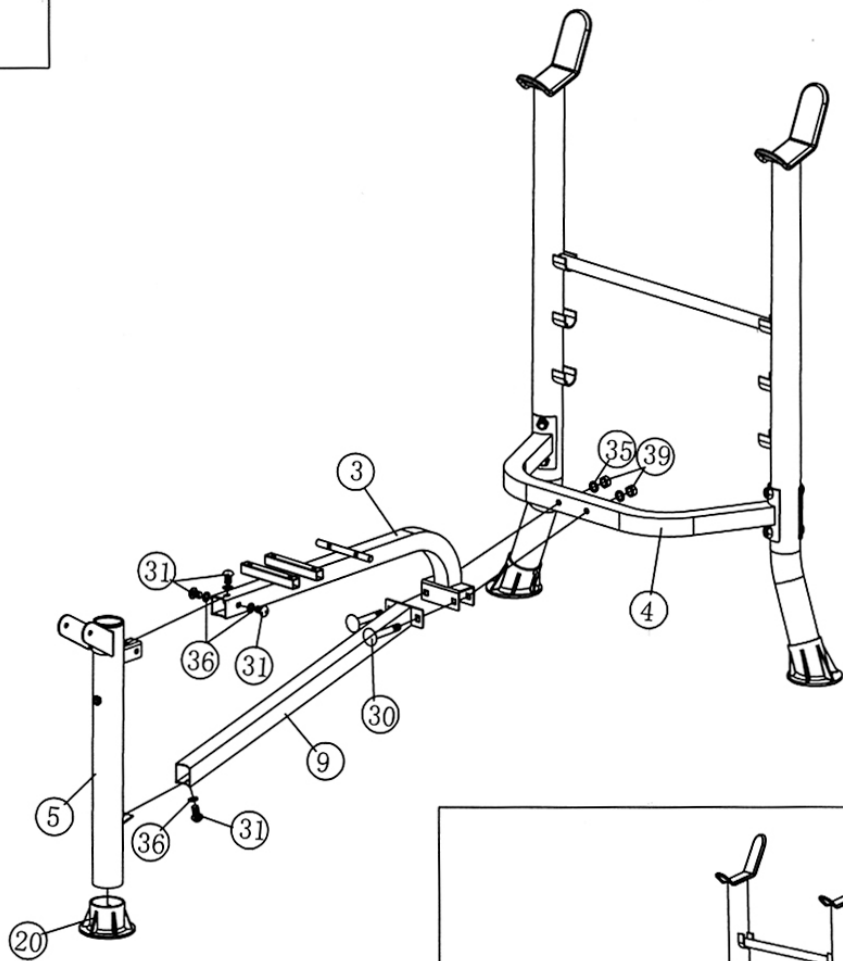
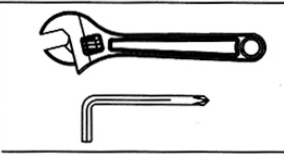
30 × 2  M10 x 2 3/8"

35 × 2  φ 10

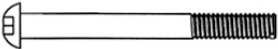




31 × 4  M8 x 3/4"

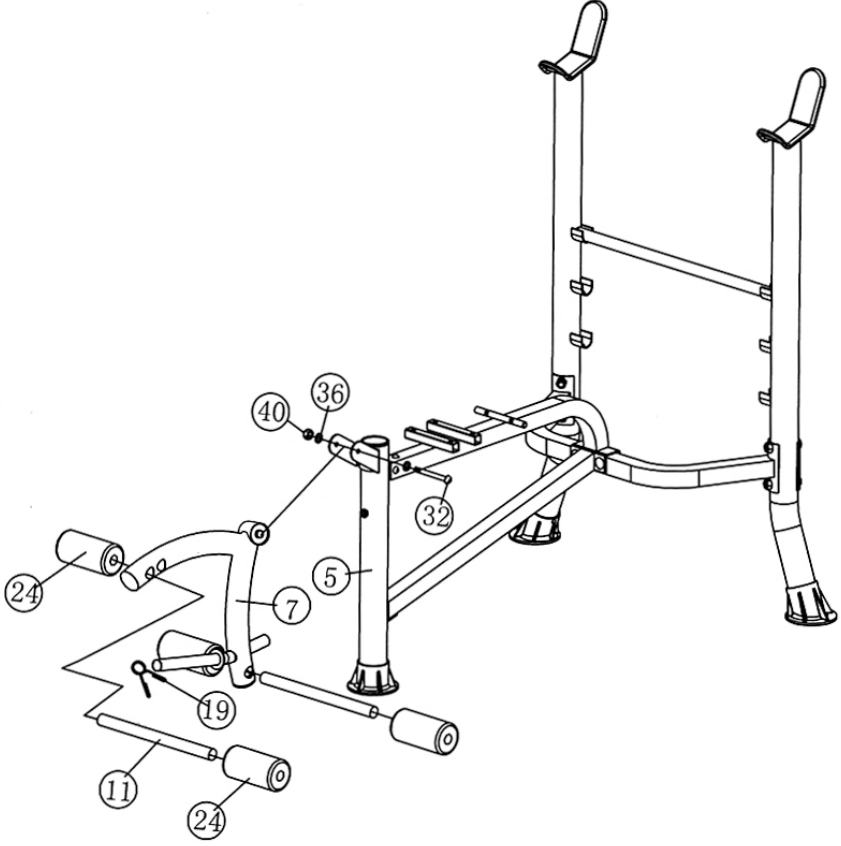
39 × 2  M10

36 × 4  ∅ 5/8"

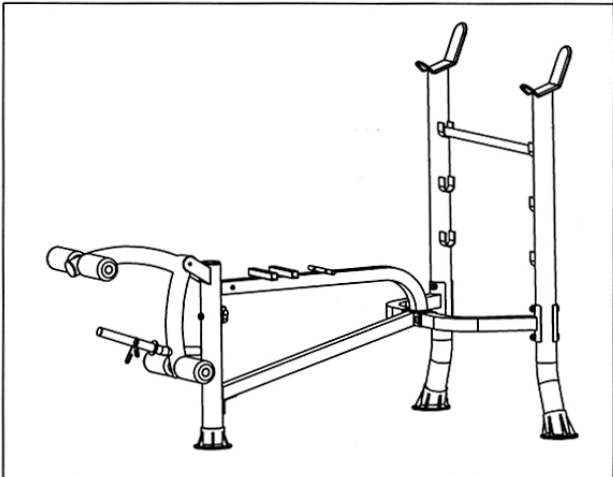


2

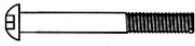
<p>③② × 1  M8 x 3"</p> <p>③⑥ × 2  Ø 3/4"</p> <p>④① × 1  M8</p>	 
---	--



3



③④ × 8

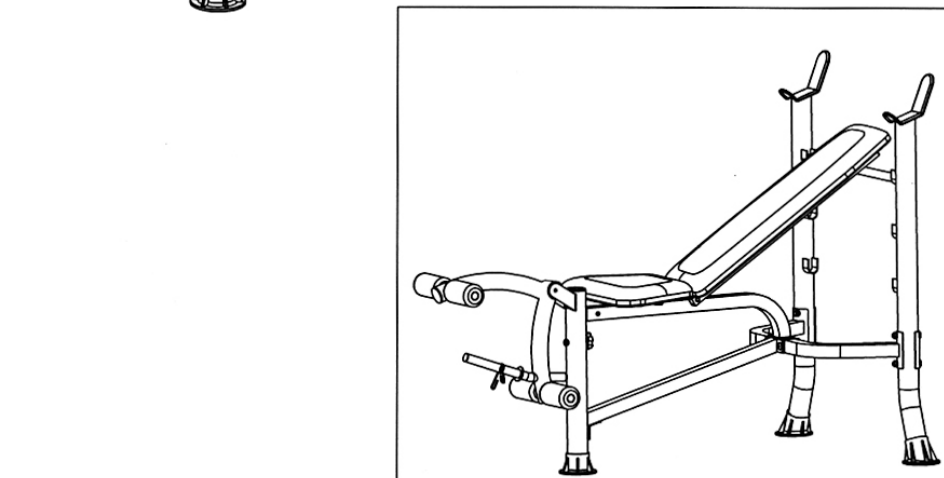
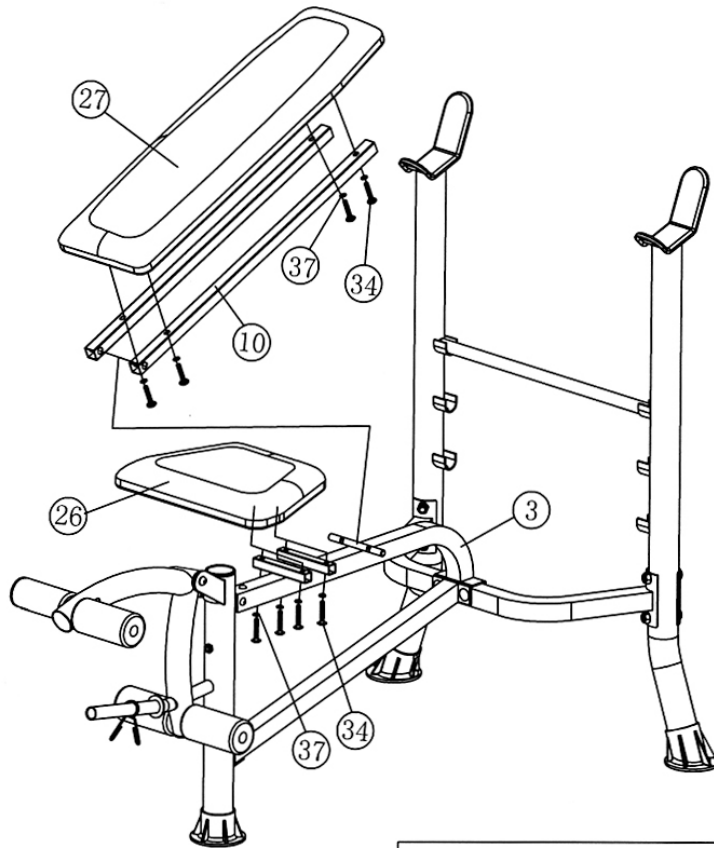


M6 x 1 1/2"

③⑦ × 8




Ø 1/2"



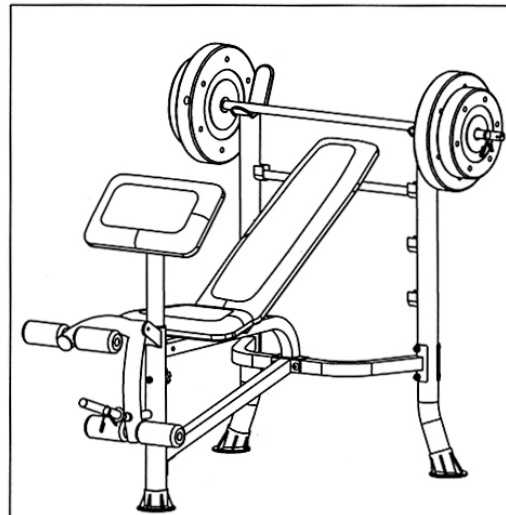
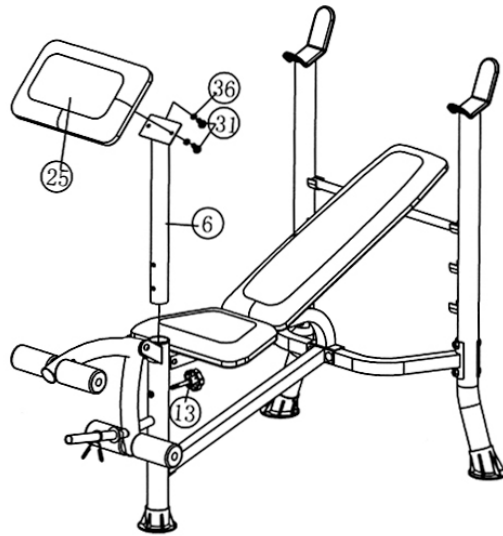
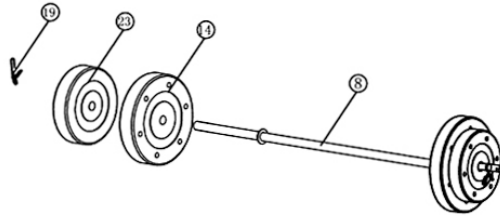
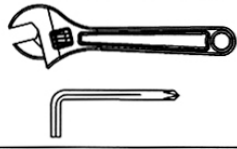
4

31 × 2 

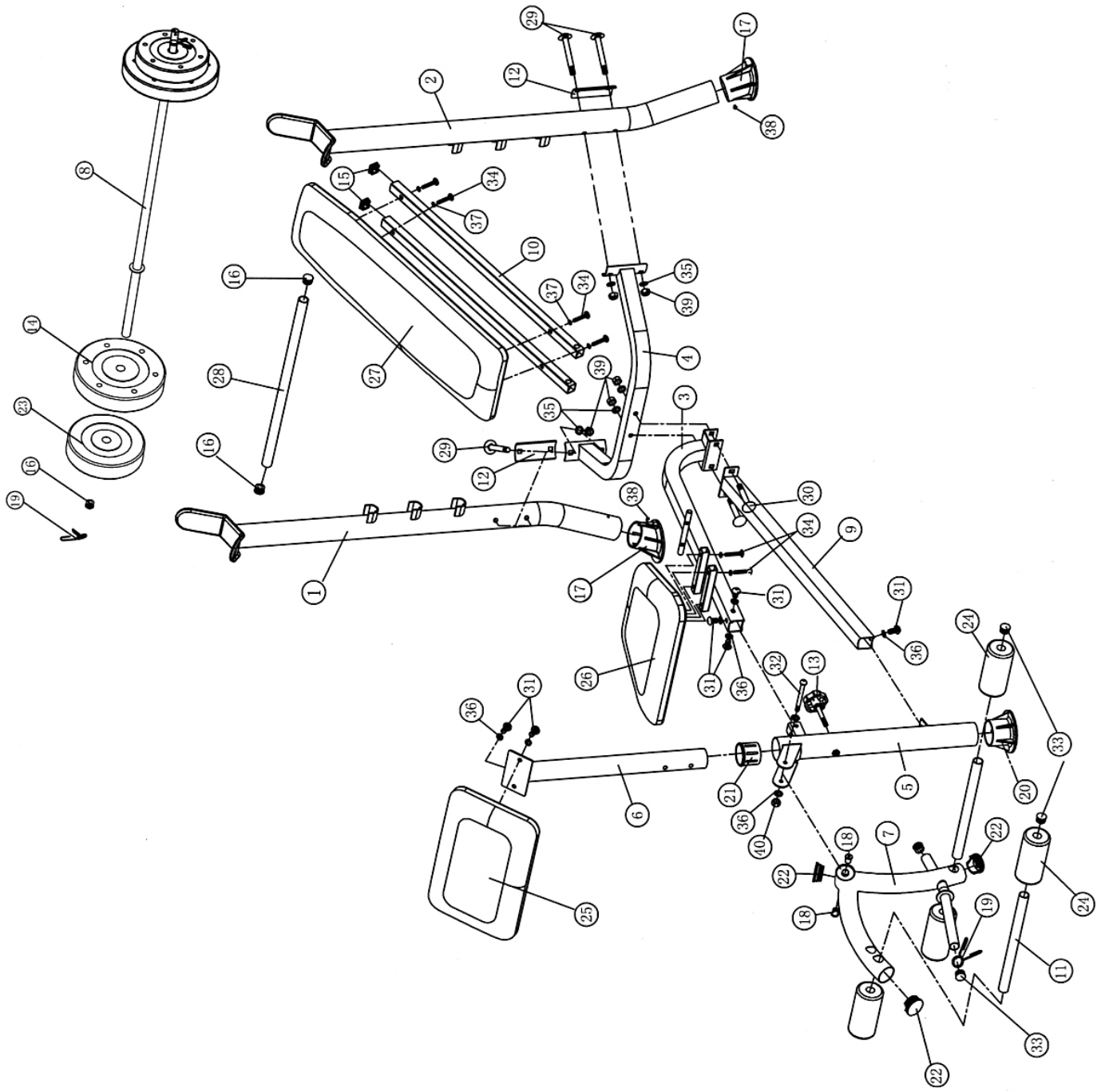
M8 x 3/4"

36 × 2 

Ø 5/8"



5



IMPEX® INC.

2801 South Towne Avenue, Pomona, California 91766

Tel: (800) 999-8899 Fax: (626) 961-9966

www.impex-fitness.com

support@impex-fitness.com